

Kytölä
MUURAME FINLAND

Material

Tolerance
SFS 4011

Scale
1:2

Drawn by LAAVA 30.01.2002

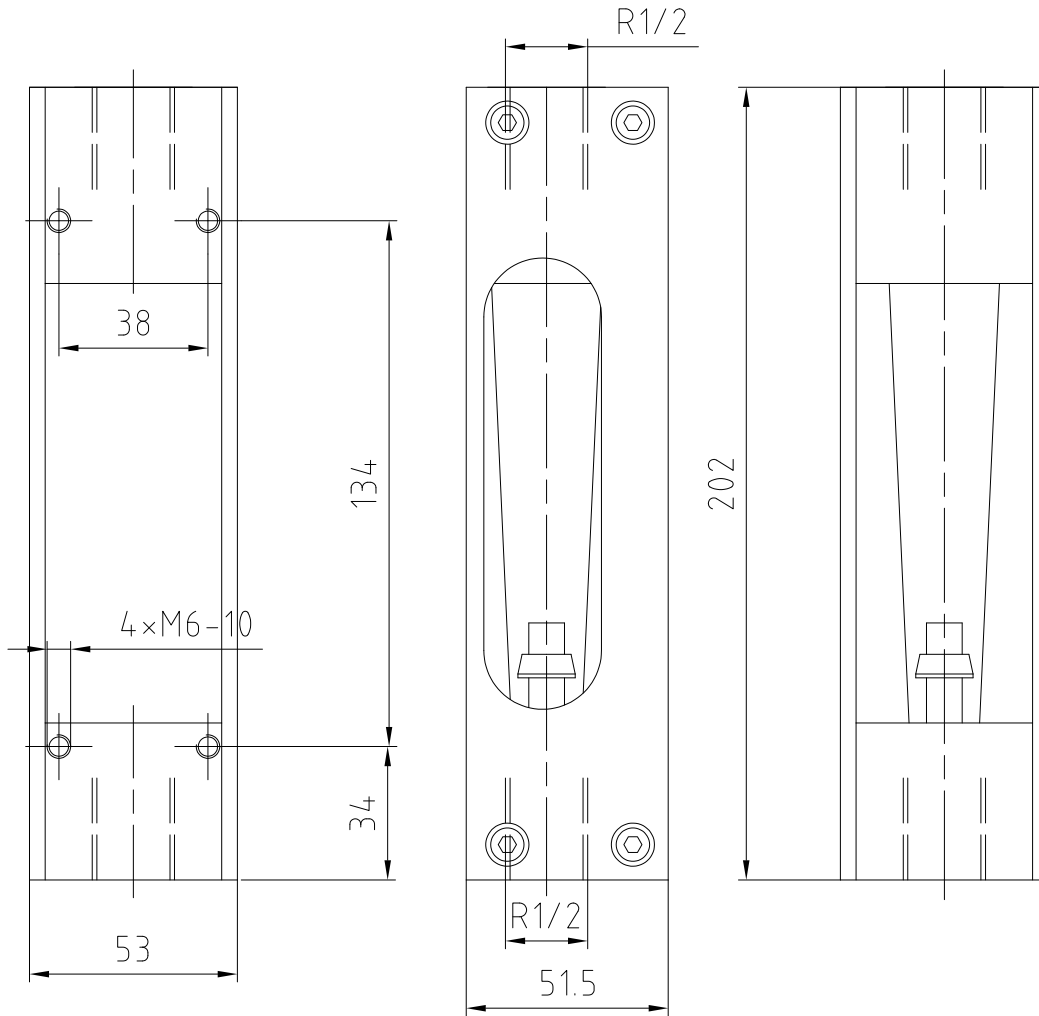
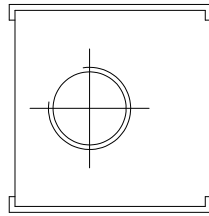
Designed by

Approved by

Title Flowmeter VE

Refers to

Dwg no
2250 b



Kupholi
MUURAME FINLAND

Material

Tolerance
SFS 4011

Scale
1:2

Drawn by LAAVA 22.11.2001

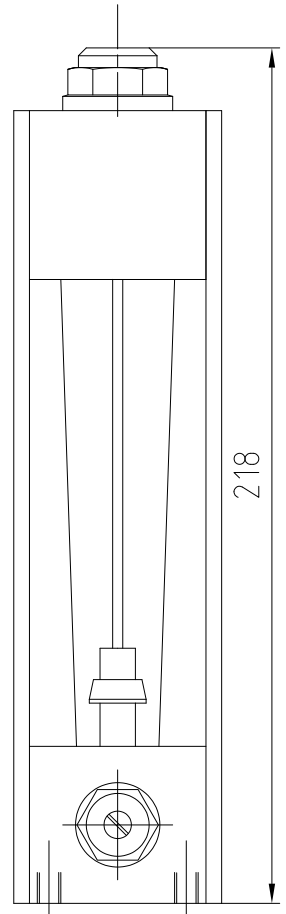
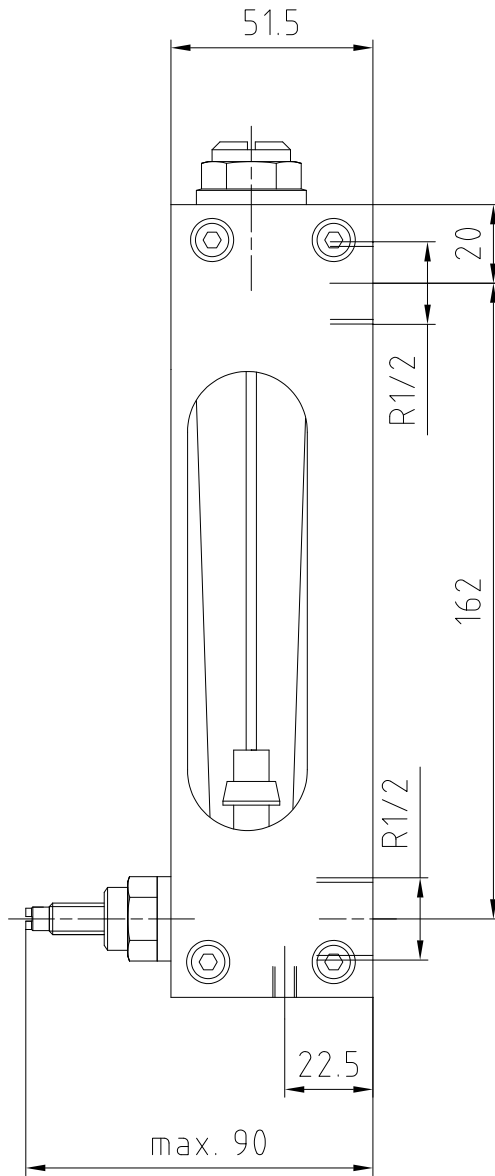
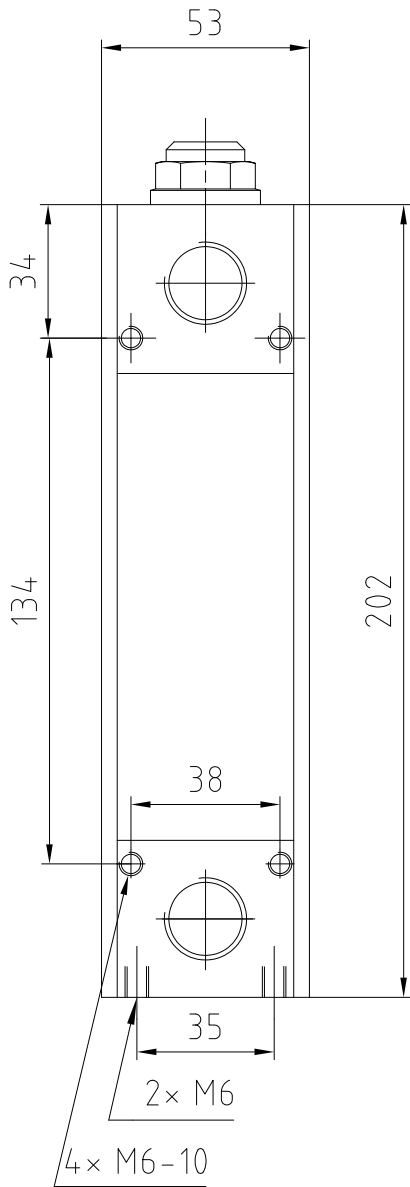
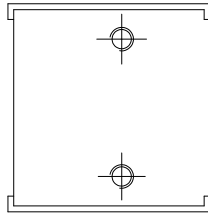
Designed by

Approved by

Title VL.. dimensional drawing

Refers to

Dwg no
2251 c



Kupholi
MUURAME FINLAND

Material

Tolerance
SFS 4011

Scale
1:2

Drawn by LAAVA 20.12.2001

Designed by

Approved by

Title VD... dimensional drawing

Refers to

Dwg no
2558 b