

*Kytölä*  
MUURAME FINLAND

Material

Tolerance  
SFS 4011

Scale  
1:1

Drawn by VL

05.06.2001

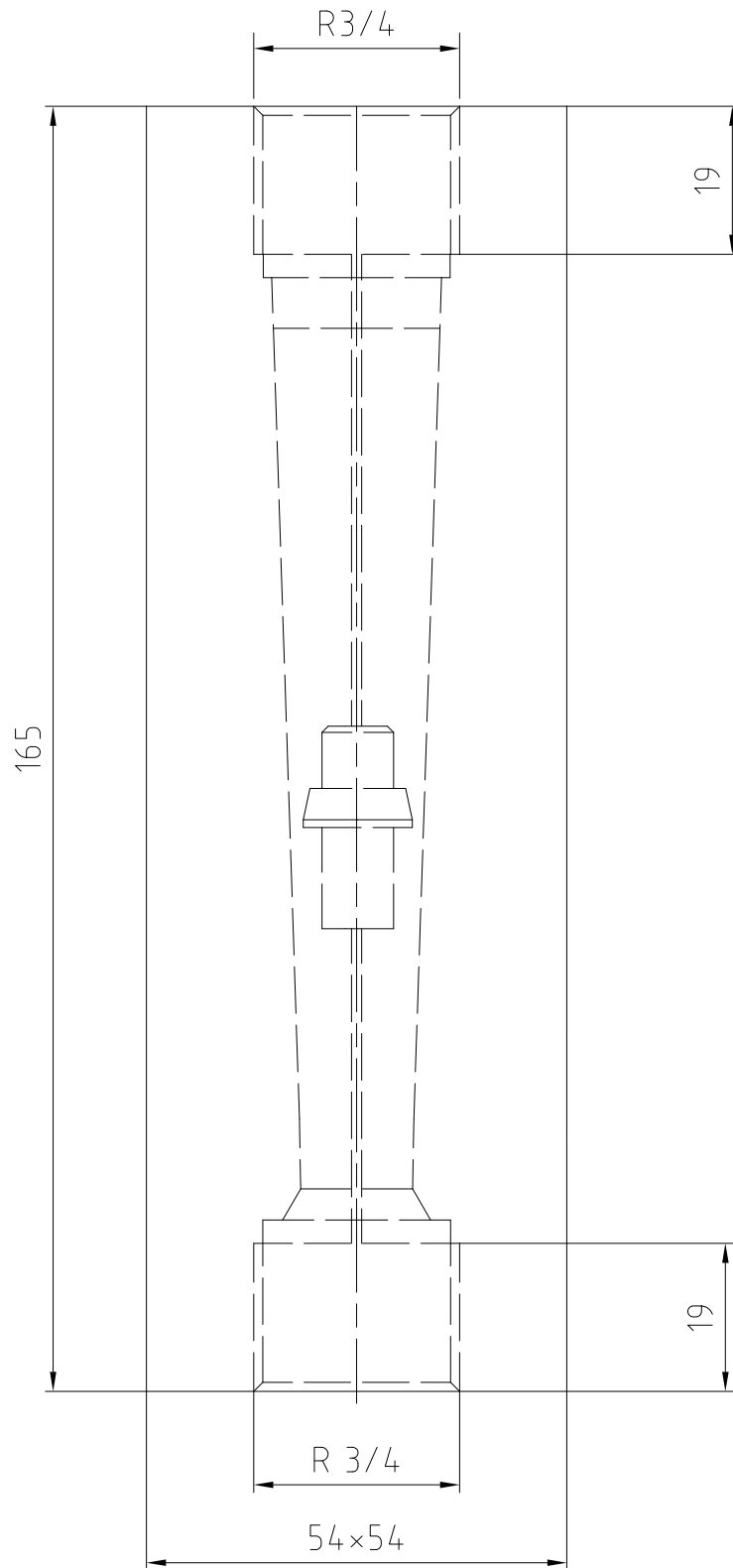
Designed by

Approved by

Title A - flowmeter  
dimensional drawing

Refers to

Dwg no 8941



*Kytölä*  
MUURAME FINLAND

Material

Tolerance  
SFS 4011

Scale  
1:1

Drawn by LAAVA 24.04.2002

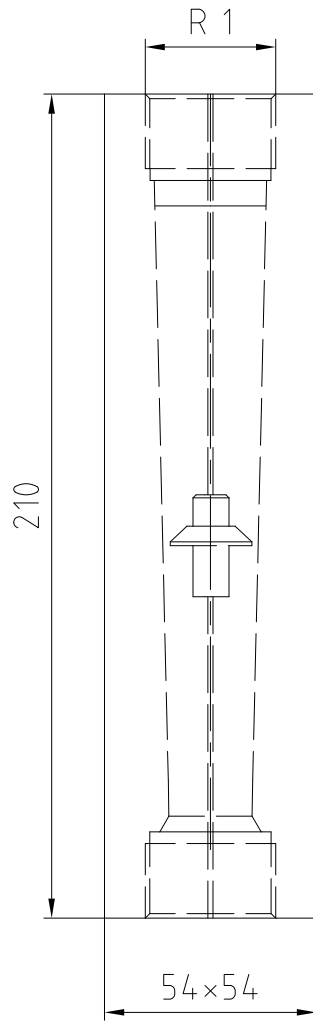
Designed by

Approved by

Title C-flowmeter  
dimensional drawing

Refers to

Dwg no 8940



*Kuphola*  
MUURAME FINLAND

Material

Tolerance  
SFS 4011

Scale  
1:2

Drawn by LAAVA 24.04.2002

Designed by

Approved by

Title D-flowmeter  
dimensional drawing

Refers to

Dwg no 8942