

FLOW METER

Model **KL, K, KD**

Variable area flow meter model K is intended for measuring and monitoring of medium range flows of liquids and gases.



Model KL



Model K



Model KD

FEATURES

- Sturdy construction with protected flow tube
- Models K and KD with built-in flow adjustment valve
- Large selection of materials

TYPICAL APPLICATIONS

- Sealing water measurements for vacuum pumps
- Lubrication oil measurements
- Gas flow measurements
- Flush water applications

OPTIONS

- Scale for alternative liquids and gases
- PES flow tube
- Viton® or EPDM seals
- Quick change flow tube
- Low and/or high flow alarm
- Back light



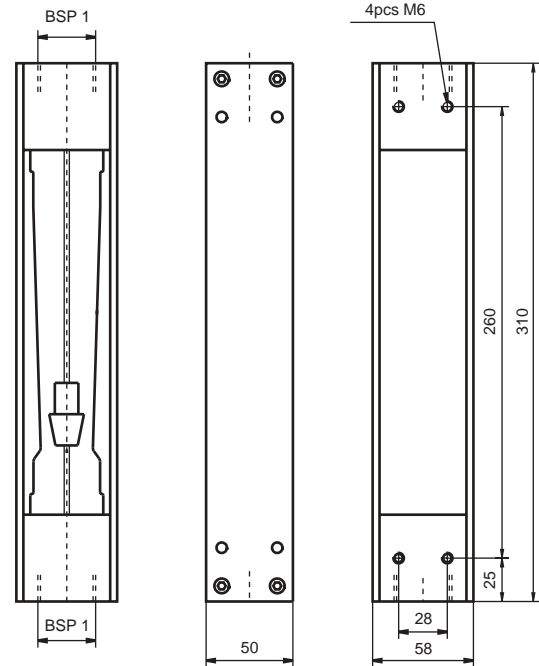
*) Special construction on request

Technical data KL

Model	KLA -	KLH -	KLK -
Weight	1.9 kg	3.1 kg	1.4 kg
End blocks	Aluminium	AISI 316	Nylon
Side plates	AISI 316	AISI 316	AISI 316
Max. pressure	30 bar	30 bar	20 bar
Max. temperature	80 °C (*120 °C)	80 °C (*120 °C)	80 °C (*120 °C)
Flowtube	Grilamid (PA-12) (*PES)		
Connections	BSP 1" or NPT 1"		
Float	AISI 329		
Seals	Nitrile (*Viton®, EPDM)		
Accuracy	±5% F.S. (H ₂ O, +20 °C)		

KL

KL	-	-	-
			Special feature
	D		Alarm readiness
	N		NPT connections
	V		PES flowtube
	W		PES flowtube, Viton® -seals
	X		Viton® -seals
			Scale
	A		H ₂ O (l/min) at +20°C
	R		Air (NI/min) at +20°C / 101,3 kPa
			Flow range
			H₂O Air
	4A	7,5 - 40 l/min	200 - 1200 NI/min
	4B	7,5 - 55 l/min	200 - 1500 NI/min
	4C	10 - 65 l/min	300 - 1800 NI/min
	4D	10 - 85 l/min	400 - 2200 NI/min
	4E	10 - 120 l/min	400 - 3000 NI/min
	4F	10 - 130 l/min	400 - 2800 NI/min
			End block material
	A		Aluminium
	H		AISI 316
	K		Nylon



MANUFACTURER

Kytola
INSTRUMENTS

KYTOLA OY • Olli Kytolan tie 1
P.O. Box 5 • FI-40951 MUURAME • FINLAND
Phone +358 14 339 0600 • Fax +358 14 631 419
E-mail sales@kytola.com • www.kytola.com

LOCAL REPRESENTATIVE

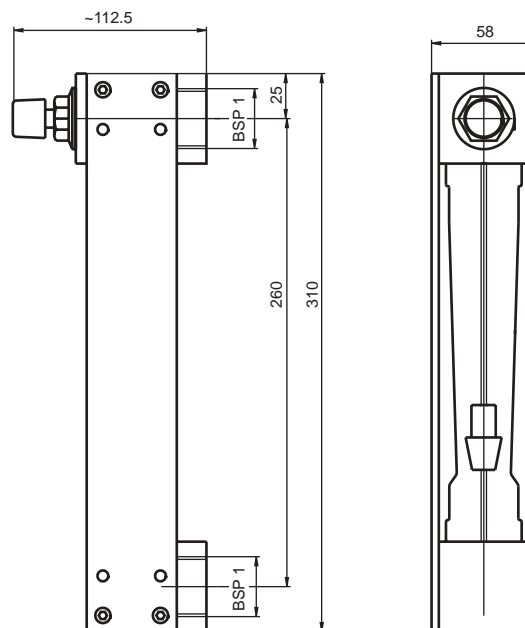


Technical data K

Model	KA -	KH -	KK -
Weight	1.9 kg	3.1 kg	1.4 kg
End blocks	Aluminium	AISI 316	Nylon
Side plates	AISI 316	AISI 316	AISI 316
Max. pressure	30 bar	30 bar	20 bar
Max. temperature	80 °C (*120 °C)	80 °C (*120 °C)	80 °C (*120 °C)
Valve housing	Aluminium	AISI 316	AISI 316
Valve spindle	AISI 316		
Flowtube	Grilamid (PA-12) (*PES)		
Connections	BSP 1" or NPT 1"		
Float	AISI 329		
Seals	Nitrile (*Viton®, EPDM)		
Accuracy	±5% F.S. (H ₂ O, +20 °C)		

*) Special construction on request

Special feature	
D	Alarm readiness
N	NPT connections
V	PES flowtube
W	PES flowtube, Viton® -seals
X	Viton® -seals
Scale	
A	H ₂ O (l/min) at +20°C
R	Air (NI/min) at +20°C / 101,3 kPa
Flow range	
H ₂ O	Air
4A	7,5 - 40 l/min 200 - 1200 NI/min
4B	7,5 - 55 l/min 200 - 1600 NI/min
4C	10 - 65 l/min 200 - 1800 NI/min
4D	10 - 85 l/min 400 - 2600 NI/min
4E	10 - 120 l/min 400 - 2800 NI/min
4F	10 - 130 l/min 400 - 2400 NI/min
End block material	
A	Aluminium
H	AISI 316
K	Nylon



MANUFACTURER



KYTOLA OY • Olli Kytolan tie 1
 P.O. Box 5 • FI-40951 MUURAME • FINLAND
 Phone +358 14 339 0600 • Fax +358 14 631 419
 E-mail sales@kytola.com • www.kytola.com

LOCAL REPRESENTATIVE

KD

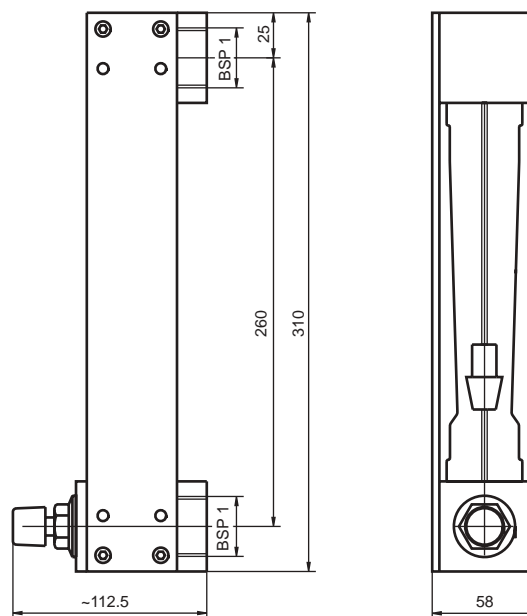


Technical data KD

Model	KDA -	KDH -	KDK -
Weight	1.9 kg	3.1 kg	1.4 kg
End blocks	Aluminium	AISI 316	Nylon
Side plates	AISI 316	AISI 316	AISI 316
Max. pressure	30 bar	30 bar	20 bar
Max. temperature	80 °C (*120 °C)	80 °C (*120 °C)	80 °C (*120 °C)
Valve housing	Aluminium	AISI 316	AISI 316
Valve spindle	AISI 316		
Flowtube	Grilamid (PA-12) (*PES)		
Connections	BSP 1" or NPT 1"		
Float	AISI 329		
Seals	Nitrile (*Viton®, EPDM)		
Accuracy	±5% F.S. (H ₂ O, +20 °C)		

*) Special construction on request

KD	-	-	-	-
				Special feature
			D	Alarm readiness
			N	NPT connections
			V	PES flowtube
			W	PES flowtube, Viton® -seals
			X	Viton® -seals
				Scale
			R	Air (NI/min) at +20°C / 101,3 kPa
				Flow range
				Air
			4A	200 - 1200 NI/min
			4B	200 - 1700 NI/min
			4C	300 - 2000 NI/min
			4D	400 - 2600 NI/min
			4E	400 - 3000 NI/min
				End block material
			A	Aluminium
			H	AISI 316
			K	Nylon



MANUFACTURER

Kytola
INSTRUMENTS

KYTOLA OY • Olli Kytolan tie 1
P.O. Box 5 • FI-40951 MUURAME • FINLAND
Phone +358 14 339 0600 • Fax +358 14 631 419
E-mail sales@kytola.com • www.kytola.com

LOCAL REPRESENTATIVE