

INCLINED TUBE MANOMETER

Model **DPA**

The inclined tube manometer is intended for use in applications where measurement of low pressure and differential pressure is needed or in monitoring applications where clear and reliable reading must be made from a distance. Its design makes the instrument highly suitable for applications involving occasional differential pressures exceeding the measuring range.



FEATURES

- Clear and easy reading
- Good contrast
- Zero adjustment screw
- Large filling liquid reservoir
- Metering liquid does not blow out during momentary overloads
- Due to the construction metering liquid does not evaporate during overloads
- Provided with filling liquid, mounting screws and instructions

ACCESSORIES AND OPTIONS

- Scale in other units than Pa. e.g., mm W.C.
- Special scale markings
- Customers logo
- Printed with other texts
- Hoses

TYPICAL APPLICATIONS

- Air conditioning strainers
- Blowers
- Dust filters
- Pressurized enclosures
- Draught measurement in furnaces
- Laboratories

DPA

Technical data DPA

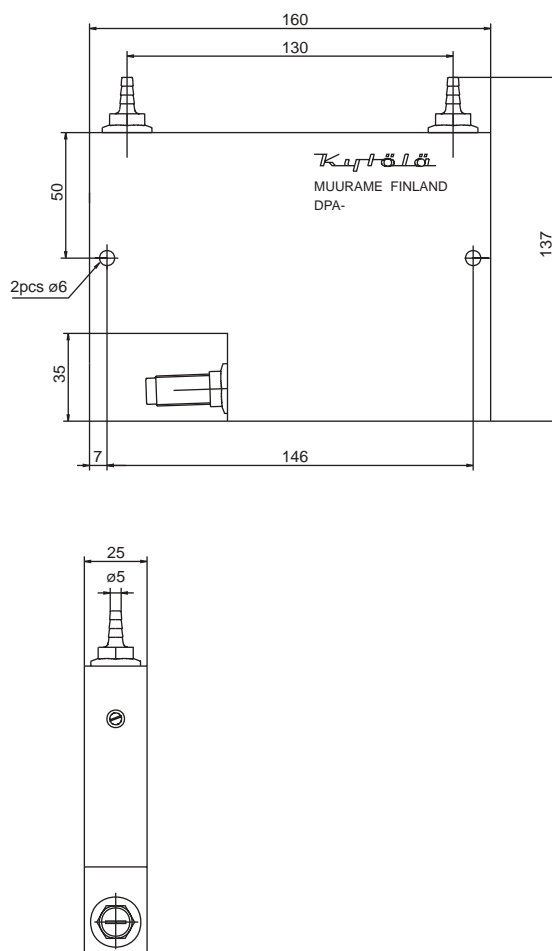


Metering liquid
Weight (incl. liquid)
Body
Connectors
Seals
Max. overload

Max. static pressure
Ambient temperature
Accuracy
Connections

Red, hydrocarbon mixture, $\rho=0,78$
500 g
Acrylic (PMMA)
Polycarbonate (PC)
Nitrile
5-30 x measuring range
(depends on the way of mounting)
10 bar
-40 ... +50 °C
 $\pm 5\%$ F.S. of inclined range
For 4-6 mm hose (inside diameter)

DPA-	Inclined scale	Vertical scale
100P	0 - 100 Pa	100 - 400 Pa
200P	0 - 200 Pa	200 - 500 Pa
300P	0 - 300 Pa	300 - 500 Pa
500P	0 - 500 Pa	



MANUFACTURER

Kytola

INSTRUMENTS

KYTOLA OY • Olli Kytolan tie 1
P.O. Box 5 • FI-40951 MUURAME • FINLAND
Phone +358 14 339 0600 • Fax +358 14 631 419
E-mail sales@kytola.com • www.kytola.com

LOCAL REPRESENTATIVE