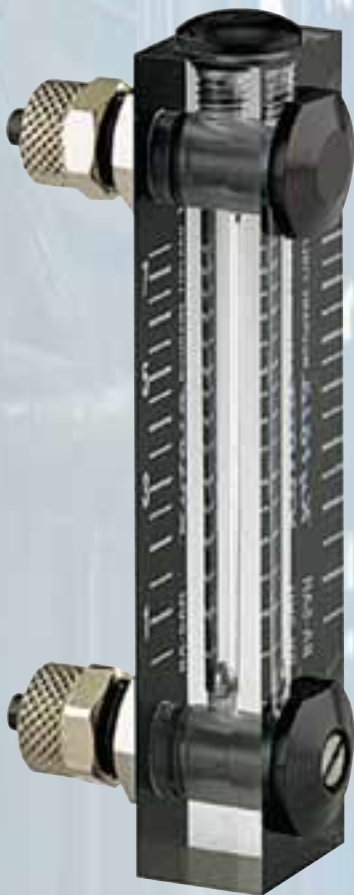


# FLOW METER

## Model BA

Model BA variable area flow meter is designed for monitoring of low air flow rates. It has a built-in flow adjustment valve and rapid fittings for plastic hose.



### FEATURES

- Acrylic body
- Connections for plastic hose
- Needle valve

### TYPICAL APPLICATIONS

- Gas purging for enclosures
- Gas purging for level measurement
- Gas purging for differential pressure measurements

### OPTIONS

- Special scale markings
- Hand knob in needle valve
- Viton® or EPDM seals

# BA

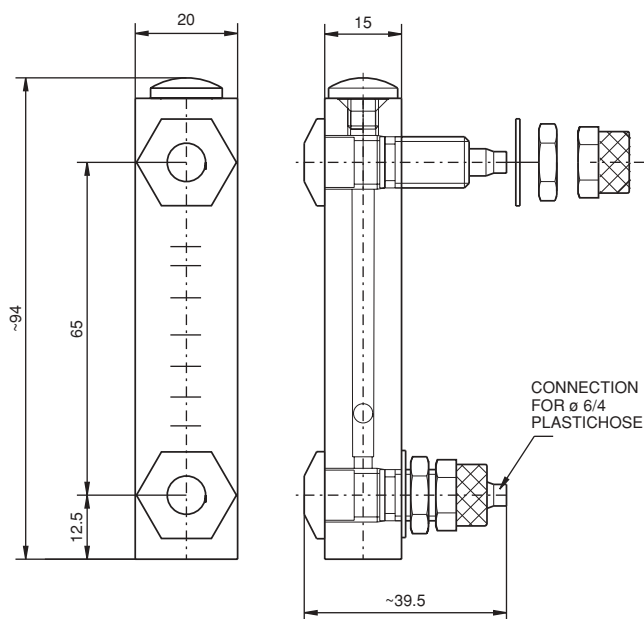


## Technical data BA

Body	Acrylic (PMMA)
Valve housing	Aluminium
Valve spindle	AISI 316
Seals	Nitrile (* Viton®, EPDM)
Plug	Nylon
Float	AISI 316
Accuracy	± 10 % (F.S)
Max. pressure	10 bar
Max. temperature	75 °C
Connections	Rapid fittings for o.d. 6 mm / i.d. 4 mm hose
Weight	60 g

\*) On request

BA-			
			<b>Special feature</b>
	H		Hand knob in valve
	V		Viton® -seals
	O		Without valve
			<b>Scale</b>
	R		Air (NI/min) at +20°C / 101,3 kPa
	D		1 - 10 relative
			<b>Flow range</b>
4A			0,2 - 1,5 NI/min
5A			0,5 - 7,5 NI/min



MANUFACTURER

# Kytola

INSTRUMENTS

KYTOLA OY • Olli Kytolan tie 1  
P.O. Box 5 • FI-40951 MUURAME • FINLAND  
Phone +358 14 339 0600 • Fax +358 14 631 419  
E-mail sales@kytola.com • www.kytola.com

LOCAL REPRESENTATIVE